

T. A. Borukaev, M. A. Gastasheva, M. A. Tlenkopachev,
B. S. Mashukova, G. E. Zaikov, Kh. S. Abzaldinov

AROMATIC POLYAMIDES AND POLYIMIDES OF TRIARILMETHANE FRAGMENTS IN MAIN CHAIN

Keywords: aromatic polyamides, aromatic polyimides, 4,4'-diaminotriphenylmethane, synthesis, properties.

Aromatic polyimides and polyamides-based 4,4'-diaminotriphenylmethane has been synthesized. Their thermal, rheological properties and solubility in various organic solvents has been studied. It is shown that the solubility of the obtained polymers is connected with a free internal rotation triphenylmethane of bridge group and an effect of a surround phenyl substituent in diaminodiphenylmethane.

Ключевые слова: ароматические полиамиды, ароматические полиимиды, 4,4-диаминотрифенилметан, синтез, свойства.

Синтезированы ароматические полиимиды и полиамиды на основе 4,4-диаминотрифенилметана. Исследованы их тепловые, реологические свойства и растворимость в различных органических растворителях. Показано, что растворимость полученных полимеров связана со свободным внутренним вращением мостиковой трифенилметан-группы и эффектом окружающего фенильного заместителя в диаминодифенилметане.

Introduction

Aromatic polyamides and polyimides are widely used in modern industry due to its excellent mechanical properties, high thermal and chemical stability. However, many of these polymers are difficult objects for processing because of their infusibility and insolubility in organic solvents. In this regard, great interest of polymer chemistry to new, fully aromatic structures that would preserve their inherent high level of physical-mechanical properties and at the same time would be fusible and easily soluble in organic solvents is understandable.

One of monomers, which may be of interest from this point of view, is 4,4'-diaminotriphenylmethane. Although the details of this monomer synthesis were published in 1928 [1], there are very few works on its use in the polycondensation reactions [2,3]. Meanwhile, it is shown that the aromatic polyimides and polyamides on the basis of aromatic diamines of similar structure, such as N,N'-diaminotriphenylmethane [4,5] and N,N'-diaminotetraphenylmethane [5] can be easily soluble in organic solvents, and have a range of interesting properties. However, it should be noted that the synthesis of these monomers is quite complex. Unlike the above monomers, 4,4'-diaminotriphenylmethane can easily be obtained in one stage of available connections with high output.

The present research is devoted to the synthesis of aromatic polyimides and polyamides-based 4,4'-diaminotriphenylmethane and study their main properties as solubility and mechanical characteristics.

The experimental part

All reagents were obtained from ALDRICH Company. Aniline was surpassed in vacuum (87 oC, 1 mm Hg.) before its use. Benzaldehyde was used without treatment. Iso- and tetraphthalic chloroanhydrides was distilled at 170 oC (57 mm Hg) and at 165 oC (50 mm Hg), respectively. Pyromellitic dianhydride was double-sublimated at 245 oC (10-4 mm Hg.). Dichlorohydrin of diphenylcarbazone acid of firm ALDRICH (the degree of purity 98%) was used

without treatment. N- methylpyrrolidone was ferried over barium oxide BaO at 98 oC (20 mm Hg) and was kept over CaCl₂.

Synthesis 4,4'-diaminotriphenylmethane

4,4'-diaminotriphenylmethane was synthesized by the reaction of aniline with benzaldehyde at 140 oC in nitrogen atmosphere. The details of its synthesis is described in works [1,2]. Received 4,4'-diaminotriphenylmethane was purified by recrystallization from benzene followed by sublimation at 110 oC (10-4 mm Hg). Elemental analysis results agree well with the structure of the monomer. C - 83,15; N - 6,47; N - 10,17 was found (%). C - 83,17; H - 6,61; N - 10,21 was calculated (%).

Synthesis of polyamide-based on 4,4'-diaminotriphenylmethane

4,4'-diaminotriphenylmethane was dissolved in a dry N - methyl-pyrrolidone and cooled to 0 oC. Stoichiometric amount of dichlorohydrin Iso - or tetraphthalic acid were added to the solution in the mixing and were raised to the room temperature (reaction time 4-5 hours, the concentration of polymer in the solution 15% weight). Received polyamides were undercooled from N - methylpyrrolidone. The solutions of treated polymers in N - methylpyrrolidone (20% weight) were put on glass plates and were dried at 150 0C in vacuum (50 mm Hg) for 10 hours.

Synthesis of polyimides based on 4,4'-diaminotriphenylmethane

Polyimide films were synthesized in two stages by chemical or thermal imidization of prepolymers - polyamid acids (PAA) [4, 7, 8]. The degree of imidization we controlled with IR - spectroscopy [7]. The output of polyimides is close to quantitative (about 100%).

Measurements

The Intrinsic viscosity ($[\eta]$, dL/g) we were determining in the solution of dimethylformamide (0.5 g per 100 ml of dimethylformamide) at 25 0C. IR -

spectra were taken on the spectrometer NICOLET 510 FT - IR. X-ray spectra of polymers were received on the diffractometer Siemen's D - 500 c CuK. Data of thermogravimetric analysis were obtained using the device Du Pont 2950 (in nitrogen atmosphere, the heating rate is 5 C/min). Glass transition temperature polymers (TD) was determined from the results of thermomechanical analysis on the device Du Pont 2950 in nitrogen atmosphere at heating rate 50 OC /min using technology oriented films [9]. Mechanical properties of polymer films (samples 30x40 mm) was determined on the device INSTRON 111 at speeds stretching 50 mm/min.

Theoretical calculations

Structural parameters and the rotation barriers of phenyl rings around the Central carbon atom of 4,4'-diaminotrephenylmethane were calculated using supercomputer SKOU. After full minimization according to molecular method MMX-89 [10] the structure were optimized by semi empirical method of molecular orbitals AM1 [11].

Results and discussion

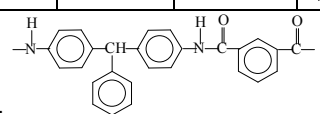
Structural parameters and energy barriers of rotation on the Central carbon atom were calculated for 4,4'-diaminotrephenylmethane to evaluate the possibility of rotation of fragments of a polymer chain around the bridged group of 4,4'-diaminotrephenylmethane. The data obtained show that SP³-hybridization of the Central carbon atom leads to the pyramidal structure of the molecule 4,4'-diaminotrephenylmethane. The estimated value of the angle C2 C1 C3 in the molecule is 112,070, which is very close to the calculated 4,4'-diaminotrephenylmethane [12]. It is found that the energy barrier of rotation around the Central atom in 4,4'-diaminotrephenylmethane is of 5.89 kcal/mol, which is rather close to those of 4,4'-diaminodiphenylmethane or 4,4'-diaminodiphenylamine [13].

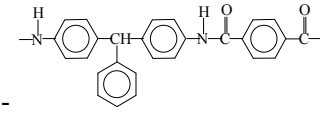
The results obtained agree well with the experimental data on the flexibility of polyimide circuit-based 4,4'-diaminotrephenylmethane [5]. Equilibrium flexibility (σ) of these polymeric structures amounted to no more than 1,10 indicating almost free internal rotation (from the point of view of thermodynamics) polymer chains. Some of these polyimides have a good solubility in organic solvents.

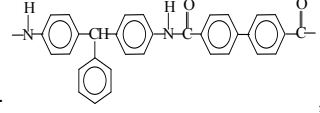
Table 1 presents data of solubility aromatic polyimides and polyamides-based 4,4'-diaminotrephenylmethane in various organic solvents at room temperature. It should be noted that the polymers of such structures on the basis of known diamines type 4,4'-diaminotrephenylmethane or 4,4'-diaminotrephenylmethane are insoluble in organic solvents, and solubility of polyimides (polyamides) on the basis of 4,4'-diaminotrephenylmethane can be explained by the effect of volume phenyl rings in the monomer molecule. This monomer, apparently, can be considered as a representative of the so-called "cardoided diamines" [14], which is known for obtaining soluble polyamides and polyimides.

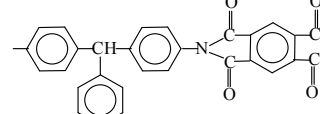
Table 1 - Solubility* polyamides and polyimides based on 4,4'-diaminotrephenylmethane

Polymer	solvent				
	Dime thyl formam ide	N - methyl pyrrolid one	Pyrid in	Tetra hydrofuran	Ace tone
	3h1d7d	3h1d7d	3h1d 7d	3h 1d7d	3h 1d7 d
1	++++	+++	+++ +	- p.s +	- -
2	++++	+++	+++ +	- p.s +	- -
3	++++	+++	+++ +	- - p.s	- p.s
4	++++	+++	+++ +	- - -	- p.s

1 - 

2 - 

3 - 

4 - 

*- solubility were checked after 3 hours., 1 day and 7 days at room temperature; (+) - completely soluble, (-) - insoluble, (p.s) - partially soluble.

Polyamides-based on 4,4'-diaminotrephenylmethane have better solubility than polyimides on the basis of the same monomer. The latter gives the possibility to prepare solutions polyamides with concentration up to 30-35% wt. in such amide solvents as the N-methylpyrrolidone or dimethylformamide. Solubility of received polyamides in pyridine and tetrahydrofuran is much lower. Polyamides are insoluble in acetone, and in the presence of even small amounts of solvent polyamide films become extremely fragile. The observed fact, apparently, is the result of weakening inside of the sample molecules acetone intermolecular by hydrogen bonds between the amide groups in polymers, responsible for the mechanical properties of the ground state.

In the case of polyimides synthesized by chemical imidization the samples are easily soluble in amide solvents (maximum concentration 15-20 weight. %), in pyridine and swell in the dichloroethane. It should be noted that previously it was reported about insolubility of polytriphenylaminepyromellitics [5] and, it seems that polyimide synthesized by us which based on 4,4'-diaminotrephenylmethane is one of the few which is soluble in organic solvents.

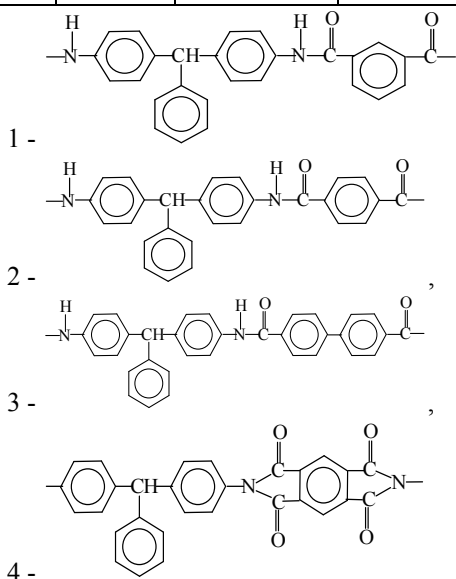
Solubility of synthesized polyimides by thermal imidization is much worse. Samples of polyimide films which were prepared at a temperature of 270 °C for 30 min (further increase in the temperature does not increase the degree of imidization, which is close to 100%) are only partially soluble in dimethylformamide or N-methylpyrrolidone and inert in other solvents. The number of insoluble fraction increases with increasing temperature or increase time of thermal processing.

A similar effect was observed after annealing higher than the temperature of 270 °C of completely soluble polyimides, synthesized by chemical imidization at room temperature. Thus, we can conclude that the polyimides based on 4,4'-diaminodiphenylmethane are heat-stitching at temperatures above 270 °C, just as previously we observed for other polyimides [8,12].

Table 2 shows the thermal properties of the synthesized polymers on the basis of 4,4'-diaminodiphenylmethane.

Table 2 - Thermal properties of polyamides and polyimides based on 4,4' – diaminodiphenylmethane

No/ №	Polymer	glass transition temperature, T _g , °C	weight loss*, 5%	weight loss*, 10%
I	1	177	238	470
II	2	231	449	474
III	3	288	516	538
IV	4	356	538	564



*-weight loss polymers were identified in nitrogen atmosphere at heating rates of 5 °C/min

The results of thermomechanical analysis show that all polymers show distinct differences in glass-transition temperature. In particular, the values of glass transition temperature increase in the range of dichlorohydrin isophthalic acid - 4,4'-diaminodiphenylmethane (I), dichlorohydrin terephthalic acid - 4,4'-diaminodiphenylmethane (II), 4,4'-dichlorodiphenyldichloroethane acid - 4,4'-diaminodiphenylmethane (III), pyromellitic dianhydride - 4,4'-diaminodiphenylmethane (IV). Glass transition temperature of the synthesized

polyimides was determined on prepared by chemical imidization samples. The values of glass transition temperature T_g are very close to values of glass transition temperature T_g of polyimides, obtained on the basis of known diamines type 4,4'-diaminodiphenylmethane [12, 15] previously published in the literature.

According to the DTA and TGA the thermal destruction of polymers which synthesized on the basis of 4,4'-diaminodiphenylmethane in nitrogen atmosphere is beginning at temperatures above 400 °C (table. 2). The greatest resistance of all investigated polymers is observing for polyimide based on benzene tetracarboxylic dianhydride and 4,4'-diaminodiphenylmethane (IV). The values of temperatures given in table. 2 in which there is a 5 and 10 % weight loss of polymers in an inert atmosphere, only slightly lower than industrial polyimide film KAPTON HN (For KAPTON these values are 545 °C and 573 °C, respectively) [16].

Results of mechanical tests of polymer films with thickness of 25 microns are shown in table 3. Studies have shown that the obtained polymers have a fairly high mechanical characteristic. From polyamides to polyimides values of elastic modulus and destructive voltage are growing. This is due to the stringency of the chain macromolecules. In turn, this increase of rigidity of structures chain macromolecules leads to decreasing their opportunities to high values of deformation, which is what we observe (table 3).

Table 3 - Mechanical properties of polyamides and polyimides based on 4,4'-diaminodiphenylmethane (film thickness 25 mkm)

No/ №	Polymer	Viscosity, η_{in} , dL/g	Modulus of elasticity, E, HPa	rupture stress, σ_r , MPa	Deformation, ϵ , %
I	1	1,2	1,1	125	67
II	2	0,9	1,3	147	39
III	3	1,4	1,5	135	75
IV		1,1	1,8	158	28

1 - isophthalic acid dichlorohydrin - 4,4'-diaminodiphenyl-methane, 2 - terephthalic acid dichlorohydrin - 4,4'-diaminodiphenyl-methane, 3 - diphenylcarbazone acid 4,4'-dichlorohydrin - 4,4'-diaminodiphenyl-methane, 4 - pyromellitic of dianhydride - 4,4'-diaminodiphenyl-methane

The results of x-ray analysis of films based on synthetic polyamide and polyimides suggest that all polymers are amorphous. Significant differences in the position and form of amorphous halo in polyimides were observed between the materials prepared by chemical and thermal imidization. A similar effect of imidization method on packaging aromatic polyimides was noted in previous messages for polypyromellitimide based on 4,4'-diaminodiphenylmethane and 4,4'-diaminodiphenyl [17].

Conclusion

Series of completely aromatic polyamides and polyimides based on 4,4'-diaminodiphenylmethane was synthesized and characterized. All studied polymers have good solubility in organic solvents. Solubility of polymer-based on 4,4'-diaminodiphenylmethane, obviously, is connected with the freedom of internal rotation triphenylmethanol bridge group and a surround Deputy in the monomer. Solubility of polyimides based on 4,4'-diaminodiphenylmethane decreases sharply after heat treatment at a temperature 270 °C and above (or samples, which was prepared by thermal imidization), which may be explained by the course of the process of cross-linking of polymers. It is found that studied polymers by thermal and mechanical properties are close to polyamides and polyimides on the basis of other monomers with bridge group.

This work is carried out with the financial support of the Ministry of Education and Science as part of the state task (project 2199).

References

- Weil H., Sapper E., Kramer E., Kloter K., Selberg H. Uber Diaminotriphenylmethan und Ahnliches.//Ber. 1928. Bd.61. №6. S. 1294-1307.
- Vishnevaya N.A., Borukaev T.A., Tlenkopachev M.A., Vasilieva O.V., Mikitaev A.K. Synthesis of aromatic polyazomethines based on 4,4'-diaminodiphenylmethane.//Polymer Science (in Rus.), Series A. 1993. Vol. 35. № 9. p. 1418-1420.
- Likhachev D.Yu., Tlenkopachev M. A., Vilar R., Salfedo R., Ogawa T., Borukaev T.A., Vishnevaya N.A., Bekanov M.Ch., Mikitaev A. K.//International Symposium on Polymers "POLYMEX-93", Cancun. 1993. P. 176.
- Kardash I.E., Likhachev D.Yu., Krotovich M.B., Kozlova N.V., Zhuravlev I.L., Bogachev Yu.S., Pravednikov A.N. IR - and NMR-spectroscopic investigation of substituted N-phenylmaleimide as model compounds of aromatic polyimides.//Polymer Science (in Rus.), Series A. 1987. Vol. 29. № 7. p. 1364-1369.
- Vasilenko N.A., Ahmetova E.I., Sviridov E.B., Berendyaev V.I., Rogozhkina E.D., Alkaeva O.F., Koshelev K.K., Izyumnikova A.L., Kotov B.V. Soluble polyimides based 4,4'-diaminodiphenylmethane. Synthesis, molecular-mass characteristics, properties of solutions.//Polymer Science (in Rus.), Series A. 1991. Vol. 33. № 7. p. 1549-1560.
- Cvetkov V.N., Stennikova I.N., Lavrenko P.N. Konformation und Gleichgewichts-Flexibilität von Poly(tetraphenylmethan-terephthalamid)-Molekülen in Lösung.//Acta Polymerica – Weinheim. 1980. Vol. 31. № 7. p. 434-438.
- Likhachev D.Yu., Arzhakov M.S., Chvalun S.N., Sinevich E.A., Zubov Yu.A., Kardash I.E., Pravednikov A.N. The effect of the chemical structure on properties of aromatic polyimides, obtained by the method of chemical cyclization.//Polymer Science (in Rus.), Series B. 1985. Vol. 27. № 10. p. 723-728.
- Kardash I.E., Likhachev D.Yu., Nikitin N.V., Ardashnikov A.Ya., Kozlova N.V., Pravednikov A.N. Plasticizing effect of the solvent in the process of solid-phase thermal cyclization of aromatic polyamidation in the polyimides.//Polymer Science (in Rus.), Series A. 1985. Vol. 27. № 8. p. 1747-1751.
- Clair T. L. st., Clair A. K., st., Smith E. N. Structure-Solubility Relationships in Polymers. Eds. Harris F. W., Academic Press. 1997. P. 199.
- Sprague J.T., Tai J.C., Yuh Y., Allinger N.L., Stewart J.P. The MMP2 calculational method.//J. Comput. Chem. 1987. P. 581-603.
- Dewar M.J.S., Zoebisch E.G., Healy E.F., Stewart J.P. The development and use of quantum mechanical molecular models a new general purpose quantum mechanical molecular model.//J. Amer. Chem. Soc. 1985. Vol. 107. P. 3902-3909.
- Bessonov M.I., Kotov M.M., Kudryavtsev V.V., Laius L.A. Polyimides, Thermally Stable Polymers. Consultants Bureau: New York, 1987.
- Birshtein T.M., Goryunov A.I. Theoretical analysis of flexibility polyimides and polyamidation.//Polymer Science (in Rus.), Series A. 1979. Vol. 21. № 9. p. 1990-1997.
- Vinogradova S.V., Vigodsky A.S., Vorobev V.D., Churochkina N.A., Chudina L.I., Spirina T.N., Korshak V.V. Investigation of chemical cyclization of polyamidation in solution.//Polymer Science (in Rus.), Series A. 1974. Vol. 16. № 3. p. 506-510.
- Clair T.I., Wilson D., Stenzenberger H.D. St. Polyamides. Blackie: New York, 1990. P. 297.
- Du Pont High Performance Films: Summary of Properties 1993. 231302 A. USA.
- Likhachev D.Yu., Chvalun S.N., Zubov Yu.A., Nurmukhametov R.N., Kardash I.E. The Influence of defects chemical structure on the morphology of polyimide films.//Polymer Science (in Rus.), Series A. 1991. Vol. 33. № 9. p. 2010-2019.

© **T. A. Borukaev** – Doctor of Chemical Sciences, professor, head of the laboratory, Kabardino-Balkarian State University after H.M. Berbekov, Russia, **M. A. Gastasheva** – postgraduate student, Kabardino-Balkarian State University after H.M. Berbekov, Russia, **M. A. Tlenkopachev** – postgraduate student, Kabardino-Balkarian State University after H.M. Berbekov, Russia, **B. S. Mashukova** – Candidate of Chemical Sciences, senior researcher, head of group, Kabardino-Balkarian State University after H.M. Berbekov, Russia, **G. E. Zaikov** – Doctor of Chemical Sciences, professor, Kazan National Research Technological University, **Kh. S. Abzaldinov** – Candidate of Chemical Sciences, Associate Professor, Kazan National Research Technological University, ov_stoyanov@mail.ru.

© **T. A. Борухаев** – д-р хим. наук, проф., зав. лабораторией, Кабардино-Балкарский Государственный Университет им. Х.М. Бербекова, Россия, **M. A. Гасташева** – аспирант, Кабардино-Балкарский Государственный Университет им. Х.М. Бербекова, Россия, **M. A. Тленкопачев** – аспирант, Кабардино-Балкарский Государственный Университет им. Х.М. Бербекова, Россия, **B. С. Машукова** – канд. хим. наук, ст. науч. сотр., руководитель группы, Кабардино-Балкарский Государственный Университет им. Х.М. Бербекова, Россия, **G. E. Заиков** – д-р хим. наук, проф. КНИТУ; **X. С. Абзальдинов** – канд. хим. наук, доцент, КНИТУ, ov_stoyanov@mail.ru.